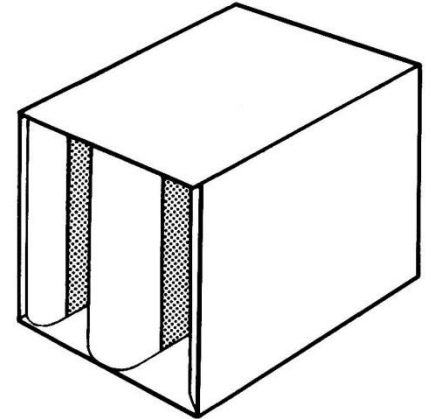


CERTIFIED PERFORMANCE DATA
Testing Information:

All acoustical performance and aerodynamic data is derived from NVLAP accredited laboratory tests in accordance with ASTM E477, the standard method for testing duct silencers. Published information originated from a 24"x24" (610mm x 610mm) production unit, tested in forward flow ("+" = air/noise in same direction) and reverse flow ("- " = air/noise in opposite direction). If silencers are installed immediately before/after elbows or transitions, at the intake/discharge of the system or without a duct, allowance for such conditions must be included and compensated for when calculating the operating pressure through the silencer. Failure to make allowances for these conditions can add several velocity heads to the pressure loss of the system.



Model	Face Velocity fpm	Insertion Loss (db)							
		Octave Band Center Frequency (Hz)							
		1 63	2 125	3 250	4 500	5 1K	6 2K	7 4K	8 8K
3B2-LF-MR	-2000	5	6	10	18	20	17	12	11
	-1000	5	6	9	16	19	17	13	12
	+1000	4	6	9	14	17	16	13	12
	+2000	3	5	8	13	17	16	13	12
5B2-LF-MR	-2000	7	14	16	27	28	21	15	13
	-1000	7	13	15	25	27	22	14	13
	+1000	7	12	14	22	25	21	15	13
	+2000	6	11	13	21	25	20	14	14
7B2-LF-MR	-2000	10	18	22	34	36	29	20	16
	-1000	10	17	21	32	35	29	21	17
	+1000	8	16	19	28	34	27	21	12
	+2000	8	15	18	26	33	26	20	13
10B2-LF-MR	-2000	13	21	30	44	45	30	21	16
	-1000	13	20	30	43	45	30	22	17
	+1000	11	19	29	42	42	29	22	16
	+2000	11	18	28	42	42	27	21	16

This table contains forward and reverse flow acoustic performance data based on testing to ASTM E477 testing standards. Copies of these tests can be furnished upon request.

Standard Construction:

- Maximum Differential Pressure: 8 in. wg.
- Outer casing: Minimum 22 gauge G90 galvanized steel
- Internal baffles: Minimum 22 gauge G90 galvanized steel
- Lock formed and mastic filled
- Attenuation materials: Mold Resistance, all natural fiber that has been treated with an EPA registered anti-microbial agent for protection against mildew, fungi, pests and mold. Meets UL 723, ASTM E84.

AIR FLOW RATINGS FOR THE 12"x12" SIZE, (SHADED), INDICATES CFM AND FACE VELOCITY IN FPM. USE THIS 12"x12" VALUES TO CALCULATE THE RATING FOR SILENCER SIZES NOT SHOWN AND FOR MULTIPLE MODULE SILENCER BANKS.

MODEL	3B2-LF-MR	0.07	0.14	0.21	0.32	0.48	0.66	0.82	0.98	1.23	1.48	1.64	1.80
	5B2-LF-MR	0.08	0.15	0.23	0.34	0.51	0.70	0.88	1.06	1.32	1.58	1.76	1.94
	7B2-LF-MR	0.09	0.17	0.26	0.39	0.58	0.80	1.00	1.20	1.50	1.80	2.00	2.20
	10B2-LF-MR	0.09	0.19	0.28	0.43	0.65	0.89	1.11	1.33	1.66	2.00	2.22	2.44
SIZE W x H	FACE AREA	AIR FLOW IN CFM											
6 x 12	0.50	457	646	791	976	1195	1398	1563	1712	1914	2097	2210	2318
6 x 24	1.00	913	1291	1581	1952	2390	2795	3125	3423	3827	4193	4419	4635
6 x 36	1.50	1370	1937	2372	2928	3585	4193	4688	5135	5741	6290	6629	6953
12 x 12	1.00	913	1291	1581	1952	2390	2795	3125	3423	3827	4193	4419	4635
12 x 24	2.00	1826	2582	3162	3904	4780	5590	6250	6846	7654	8386	8838	9270
12 x 30	2.50	2283	3228	3953	4880	5975	6988	7813	8558	9568	10483	11048	11588
12 x 36	3.00	2739	3873	4743	5856	7170	8385	9375	10269	11481	12579	13257	13905
12 x 48	4.00	3652	5164	6324	7808	9560	11180	12500	13692	15308	16772	17676	18540
24 x 18	3.00	2739	3873	4743	5856	7170	8385	9375	10269	11481	12579	13257	13905
24 x 24	4.00	3652	5164	6324	7808	9560	11180	12500	13692	15308	16772	17676	18540
24 x 30	5.00	4565	6455	7905	9760	11950	13975	15625	17115	19135	20965	22095	23175
24 x 36	6.00	5478	7746	9486	11712	14340	16770	18750	20538	22962	25158	26514	27810
24 x 42	7.00	6391	9037	11067	13664	16730	19565	21875	23961	26789	29351	30933	32445
24 x 45	7.50	6848	9683	11858	14640	17925	20963	23438	25673	28703	31448	33143	34763
24 x 48	8.00	7304	10328	12648	15616	19120	22360	25000	27384	30616	33544	35352	37080
48 x 30	10.00	9130	12910	15810	19520	23900	27950	31250	34230	38270	41930	44190	46350
48 x 36	12.00	10956	15492	18972	23424	28680	33540	37500	41076	45924	50316	53028	55620
48 x 42	14.00	12782	18074	22134	27328	33460	39130	43750	47922	53578	58702	61866	64890
48 x 45	15.00	13695	19365	23715	29280	35850	41925	46875	51345	57405	62895	66285	69525
48 x 48	16.00	14608	20656	25296	31232	38240	44720	50000	54768	61232	67088	70704	74160

SELF GENERATED SOUND POWER RATINGS (PWL) dB RE 10⁻¹² watts

OCTAVE BAND		1	2	3	4	5	6	7	8
[HZ]		63	125	250	500	1K	2K	4K	8K
MODEL	FACE VELOCITY [FPM]								
ALL LENGTHS	+2000	50	45	48	46	50	54	48	41
	+1000	43	36	39	38	35	36	27	27
	-1000	43	41	44	45	48	46	35	26
	-2000	50	49	52	53	54	58	53	46

SELF GENERATED SOUND RATINGS FACE AREA-ADJUSTMENT FACTORS

FACE AREA [FT ²]	.50	1	2	4	8	10	32	64	128
PWL ADJUSTMENT FACTOR, [dB]	-9	-6	-3	0	+3	+6	+9	+12	+16

Version: 1-2014