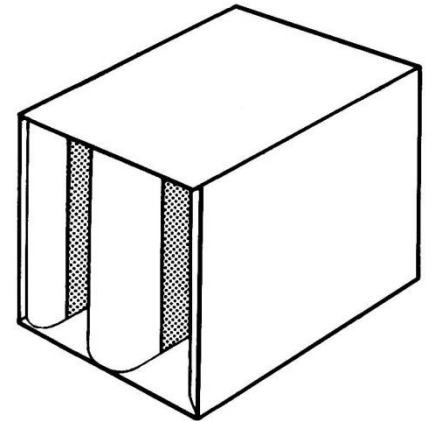


CERTIFIED PERFORMANCE DATA
Testing Information:

All acoustical performance and aerodynamic data is derived from NVLAP accredited laboratory tests in accordance with ASTM E477, the standard method for testing duct silencers. Published information originated from a 24"x24" (610mm x 610mm) production unit, tested in forward flow ("+" = air/noise in same direction) and reverse flow ("-") = air/noise in opposite direction). If silencers are installed immediately before/after elbows or transitions, at the intake/discharge of the system or without a duct, allowance for such conditions must be included and compensated for when calculating the operating pressure through the silencer. Failure to make allowances for these conditions can add several velocity heads to the pressure loss of the system.



Model	Face Velocity fpm	Insertion Loss (db)							
		Octave Band Center Frequency (Hz)							
		1 63	2 125	3 250	4 500	5 1K	6 2K	7 4K	8 8K
3B4-IL	-2000	3	5	8	11	25	16	11	11
	-1000	3	5	8	13	19	18	11	9
	+1000	3	4	8	11	17	17	14	12
	+2000	3	3	6	9	16	17	13	10
5B4-IL	-2000	7	10	11	19	35	43	18	12
	-1000	5	8	12	21	38	43	17	13
	+1000	6	8	12	18	29	34	19	15
	+2000	7	8	8	15	26	36	20	15
7B4-IL	-2000	12	14	20	34	42	46	22	13
	-1000	10	13	18	31	45	50	23	14
	+1000	8	10	15	27	41	46	26	20
	+2000	7	10	13	23	37	43	31	21
10B4-IL	-2000	12	18	22	28	39	47	25	16
	-1000	11	16	21	30	42	48	28	18
	+1000	10	16	20	29	44	49	33	31
	+2000	9	15	19	27	40	44	35	30

This table contains forward and reverse flow acoustic performance data based on testing to ASTM E477 testing standards. Copies of these tests can be furnished upon request.

Standard Construction:

- Maximum Differential Pressure: 8 in. wg.
- Outer casing: Minimum 22 gauge G90 galvanized steel
- Internal baffles: Minimum 22 gauge G90 galvanized steel
- Lock formed and mastic filled
- Attenuation materials: Inorganic glass fiber packed under a minimum of 5% compression. Flame spread of 15, fuel contributed of 0, smoke developed of 0 as tested with UL Test Procedure 723.
- Internal Lining: Acoustical fill is encapsulated by acoustically transparent stand-off material that is non-erosive, non-pregnable. Ideal for Hospitals, Clean Rooms, Food Processing Facilities and Laboratories.

Tel: (909) 796-6200
Fax: (909) 796-6223



AIR FLOW RATINGS FOR THE 12"x12" SIZE, (SHADED), INDICATES CFM AND FACE VELOCITY IN FPM. USE THIS 12"x12" VALUES TO CALCULATE THE RATING FOR SILENCER SIZES NOT SHOWN AND FOR MULTIPLE MODULE SILENCER BANKS.

MODEL	3B4-IL	0.05	0.10	0.16	0.21	0.31	0.41	0.51	0.60	0.75	0.89	1.00	1.08
	5B4-IL	0.06	0.11	0.18	0.25	0.38	0.51	0.64	0.75	0.94	1.12	1.26	1.36
	7B4-IL	0.07	0.12	0.18	0.26	0.39	0.53	0.66	0.78	0.97	1.16	1.30	1.40
	10B4-IL	0.09	0.17	0.27	0.39	0.58	0.77	0.96	1.14	1.42	1.70	1.90	2.06
SIZE W x H	FACE AREA	AIR FLOW IN CFM											
6 x 12	0.50	354	477	600	713	875	1012	1130	1230	1371	1500	1588	1650
6 x 24	1.00	707	953	1200	1425	1750	2023	2260	2459	2742	2999	3175	3300
6 x 36	1.50	1061	1430	1800	2138	2625	3035	3390	3689	4113	4499	4763	4950
12 x 12	1.00	707	953	1200	1425	1750	2023	2260	2459	2742	2999	3175	3300
12 x 24	2.00	1414	1906	2400	2850	3500	4046	4520	4918	5484	5998	6350	6600
12 x 36	3.00	2121	2859	3600	4275	5250	6069	6780	7377	8226	8997	9525	9900
18 x 12	1.50	1061	1430	1800	2138	2625	3035	3390	3689	4113	4499	4763	4950
18 x 18	2.25	1591	2144	2700	3206	3938	4552	5085	5533	6170	6748	7144	7425
18 x 30	3.75	2651	3574	4500	5344	6563	7586	8475	9221	10283	11246	11906	12375
18 x 36	4.50	3182	4289	5400	6413	7875	9104	10170	11066	12339	13496	14288	14850
18 x 48	6.00	4242	5718	7200	8550	10500	12138	13560	14754	16452	17994	19050	19800
24 x 24	4.00	2828	3812	4800	5700	7000	8092	9040	9836	10968	11996	12700	13200
24 x 36	6.00	4242	5718	7200	8550	10500	12138	13560	14754	16452	17994	19050	19800
24 x 48	8.00	5656	7624	9600	11400	14000	16184	18080	19672	21936	23992	25400	26400
30 x 24	5.00	3535	4765	6000	7125	8750	10115	11300	12295	13710	14995	15875	16500
30 x 36	7.50	5303	7148	9000	10688	13125	15173	16950	18443	20565	22493	23813	24750
30 x 48	10.00	7070	9530	12000	14250	17500	20230	22600	24590	27420	29990	31750	33000
36 x 36	9.00	6363	8577	10800	12825	15750	18207	20340	22131	24678	26991	28575	29700
36 x 42	10.50	7424	10007	12600	14963	18375	21242	23730	25820	28791	31490	33338	34650
36 x 48	12.00	8484	11436	14400	17100	21000	24276	27120	29508	32904	35988	38100	39600

SELF GENERATED SOUND POWER RATINGS (PWL) dB RE 10⁻¹² watts

OCTAVE BAND		1	2	3	4	5	6	7	8
[HZ]		63	125	250	500	1K	2K	4K	8K
MODEL	FACE VELOCITY [FPM]								
ALL LENGTHS	+2000	62	57	52	48	47	51	51	48
	+1000	51	42	34	31	33	28	24	29
	-1000	53	46	44	47	51	52	43	34
	-2000	63	57	55	56	58	64	66	59

SELF GENERATED SOUND RATINGS FACE AREA-ADJUSTMENT FACTORS

FACE AREA [FT ²]	.50	1	2	4	8	10	32	64	128
PWL ADJUSTMENT FACTOR, [dB]	-9	-6	-3	0	+3	+6	+9	+12	+15

Version: 1-2014

