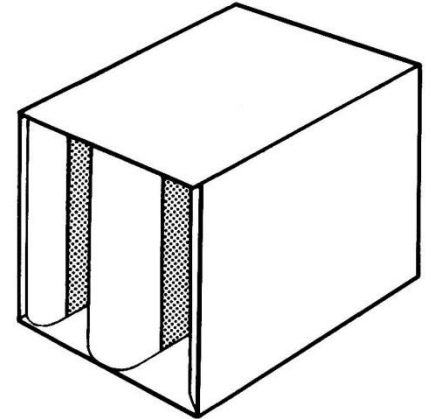


**CERTIFIED PERFORMANCE DATA**
**Testing Information:**

All acoustical performance and aerodynamic data is derived from NVLAP accredited laboratory tests in accordance with ASTM E477, the standard method for testing duct silencers. Published information originated from a 24"x24" (610mm x 610mm) production unit, tested in forward flow ("+" = air/noise in same direction) and reverse flow ("-") = air/noise in opposite direction). If silencers are installed immediately before/after elbows or transitions, at the intake/discharge of the system or without a duct, allowance for such conditions must be included and compensated for when calculating the operating pressure through the silencer. Failure to make allowances for these conditions can add several velocity heads to the pressure loss of the system.



Model	Face Velocity fpm	Insertion Loss (db)							
		Octave Band Center Frequency (Hz)							
		1 63	2 125	3 250	4 500	5 1K	6 2K	7 4K	8 8K
<b>3B4-LF-MR</b>	-1500	8	7	16	21	18	15	10	10
	-1000	7	7	16	20	18	14	11	11
	+1000	6	6	15	18	16	13	12	11
	+1500	5	5	15	17	15	12	11	11
<b>5B4-LF-MR</b>	-1500	13	13	27	31	30	17	13	12
	-1000	12	13	26	30	29	17	13	13
	+1000	10	11	24	28	27	16	13	12
	+1500	9	11	23	27	26	17	13	13
<b>7B4-LF-MR</b>	-1500	15	17	32	44	43	22	14	14
	-1000	16	16	31	44	42	21	15	15
	+1000	15	14	29	42	42	23	16	14
	+1500	15	14	27	40	42	23	17	15
<b>10B4-LF-MR</b>	-1500	20	23	42	52	54	27	18	16
	-1000	19	22	41	52	54	28	20	17
	+1000	18	22	40	50	52	30	23	18
	+1500	18	21	38	49	51	30	24	19

This table contains forward and reverse flow acoustic performance data based on testing to ASTM E477 testing standards. Copies of these tests can be furnished upon request.

**Standard Construction:**

- Maximum Differential Pressure: 8 in. wg.
- Outer casing: Minimum 22 gauge G90 galvanized steel
- Internal baffles: Minimum 24 gauge G90 galvanized steel
- Lock formed and mastic filled
- Attenuation materials: Inorganic glass fiber packed under a minimum of 5% compression. Flame spread of 15, fuel contributed of 0, smoke developed of 0 as tested with UL Test Procedure 723



AIR FLOW RATINGS FOR THE 12"x12" SIZE, (SHADED), INDICATES CFM AND FACE VELOCITY IN FPM. USE THIS 12"x12" VALUES TO CALCULATE THE RATING FOR SILENCER SIZES NOT SHOWN AND FOR MULTIPLE MODULE SILENCER BANKS.

MODEL	3B4-LF-MR	0.04	0.07	0.10	0.13	0.15	0.17	0.20	0.26	0.32	0.44	0.59	0.73
	5B4-LF-MR	0.04	0.07	0.10	0.14	0.16	0.18	0.21	0.27	0.33	0.46	0.62	0.77
MODEL	7B4-LF-MR	0.05	0.08	0.11	0.14	0.17	0.19	0.22	0.28	0.35	0.49	0.65	0.81
	10B4-LF-MR	0.05	0.09	0.12	0.16	0.19	0.22	0.25	0.32	0.40	0.55	0.74	0.92
SIZE W x H	FACE AREA	AIR FLOW IN CFM											
6 x 12	0.50	227	297	354	402	438	465	500	569	630	743	858	959
6 x 24	1.00	454	594	707	804	875	930	1000	1138	1260	1485	1715	1917
6 x 36	1.50	681	891	1061	1206	1313	1395	1500	1707	1890	2228	2573	2876
<b>12 x 12</b>	<b>1.00</b>	<b>454</b>	<b>594</b>	<b>707</b>	<b>804</b>	<b>875</b>	<b>930</b>	<b>1000</b>	<b>1138</b>	<b>1260</b>	<b>1485</b>	<b>1715</b>	<b>1917</b>
12 x 24	2.00	908	1188	1414	1608	1750	1860	2000	2276	2520	2970	3430	3834
12 x 30	2.50	1135	1485	1768	2010	2188	2325	2500	2845	3150	3713	4288	4793
12 x 36	3.00	1362	1782	2121	2412	2625	2790	3000	3414	3780	4455	5145	5751
12 x 48	4.00	1816	2376	2828	3216	3500	3720	4000	4552	5040	5940	6860	7668
24 x 18	3.00	1362	1782	2121	2412	2625	2790	3000	3414	3780	4455	5145	5751
24 x 24	4.00	1816	2376	2828	3216	3500	3720	4000	4552	5040	5940	6860	7668
24 x 30	5.00	2270	2970	3535	4020	4375	4650	5000	5690	6300	7425	8575	9585
24 x 36	6.00	2724	3564	4242	4824	5250	5580	6000	6828	7560	8910	10290	11502
24 x 42	7.00	3178	4158	4949	5628	6125	6510	7000	7966	8820	10395	12005	13419
24 x 45	7.50	3405	4455	5303	6030	6563	6975	7500	8535	9450	11138	12863	14378
24 x 48	8.00	3632	4752	5656	6432	7000	7440	8000	9104	10080	11880	13720	15336
48 x 30	10.00	4540	5940	7070	8040	8750	9300	10000	11380	12600	14850	17150	19170
48 x 36	12.00	5448	7128	8484	9648	10500	11160	12000	13656	15120	17820	20580	23004
48 x 42	14.00	6356	8316	9898	11256	12250	13020	14000	15932	17640	20790	24010	26838
48 x 45	15.00	6810	8910	10605	12060	13125	13950	15000	17070	18900	22275	25725	28755
48 x 48	16.00	7264	9504	11312	12864	14000	14880	16000	18208	20160	23760	27440	30672

SELF GENERATED SOUND POWER RATINGS (PWL) dB RE 10<sup>-12</sup> watts

OCTAVE BAND		1	2	3	4	5	6	7	8
[HZ]		63	125	250	500	1K	2K	4K	8K
MODEL	FACE VELOCITY [FPM]								
ALL LENGTHS	+1500	55	54	59	57	53	55	54	49
	+1000	46	35	38	37	42	38	28	22
	-1000	47	42	41	44	46	45	36	28
	-1500	54	53	55	56	57	60	60	53

SELF GENERATED SOUND RATINGS FACE AREA-ADJUSTMENT FACTORS

FACE AREA [FT <sup>2</sup> ]	.50	1	2	4	8	10	32	64	128
PWL ADJUSTMENT FACTOR, [dB]	-9	-6	-3	0	+3	+6	+9	+12	+16

Version: 1-2014

