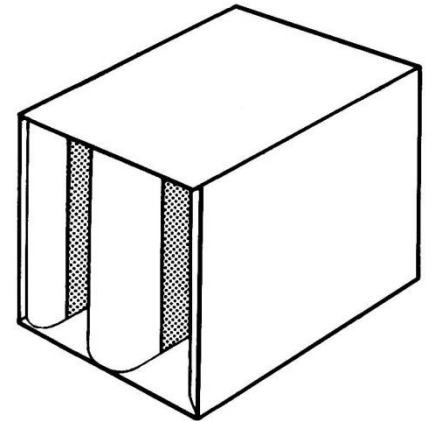


**CERTIFIED PERFORMANCE DATA**
**Testing Information:**

All acoustical performance and aerodynamic data is derived from NVLAP accredited laboratory tests in accordance with ASTM E477, the standard method for testing duct silencers. Published information originated from a 24"x24" (610mm x 610mm) production unit, tested in forward flow ("+" = air/noise in same direction) and reverse flow ("-") = air/noise in opposite direction). If silencers are installed immediately before/after elbows or transitions, at the intake/discharge of the system or without a duct, allowance for such conditions must be included and compensated for when calculating the operating pressure through the silencer. Failure to make allowances for these conditions can add several velocity heads to the pressure loss of the system.



Model	Face Velocity fpm	Insertion Loss (db)							
		Octave Band Center Frequency (Hz)							
		1 63	2 125	3 250	4 500	5 1K	6 2K	7 4K	8 8K
<b>3B6-LF-MR</b>	-1500	10	12	25	33	28	24	18	14
	-1000	9	12	24	33	28	23	19	14
	+1000	10	11	22	31	28	25	20	15
	+1500	10	10	20	30	27	26	20	15
<b>5B6-LF-MR</b>	-1500	16	23	39	46	45	37	26	20
	-1000	16	22	36	45	44	36	27	19
	+1000	13	17	32	41	41	39	27	15
	+1500	11	16	30	39	39	40	28	14
<b>7B6-LF-MR</b>	-1500	16	30	44	50	54	42	28	20
	-1000	16	28	43	48	53	43	30	20
	+1000	13	22	40	47	51	51	31	24
	+1500	13	23	39	46	49	49	32	25
<b>10B6-LF-MR</b>	-1500	23	33	49	52	53	45	33	22
	-1000	23	32	52	57	54	55	36	22
	+1000	21	27	49	56	53	59	38	24
	+1500	19	27	48	58	55	50	38	25

This table contains forward and reverse flow acoustic performance data based on testing to ASTM E477 testing standards. Copies of these tests can be furnished upon request.

**Standard Construction:**

- Maximum Differential Pressure: 8 in. wg.
- Outer casing: Minimum 22 gauge G90 galvanized steel
- Internal baffles: Minimum 22 gauge G90 galvanized steel
- Lock formed and mastic filled
- Attenuation materials: Mold Resistance, all natural fiber that has been treated with an EPA registered anti-microbial agent for protection against mildew, fungi, pests and mold. Meets UL 723, ASTM E84.



AIR FLOW RATINGS FOR THE 12"x12" SIZE, (SHADED), INDICATES CFM AND FACE VELOCITY IN FPM. USE THIS 12"x12" VALUES TO CALCULATE THE RATING FOR SILENCER SIZES NOT SHOWN AND FOR MULTIPLE MODULE SILENCER BANKS.

MODEL	3B6-LF-MR	0.12	0.21	0.30	0.39	0.46	0.52	0.61	0.78	0.95	1.32	1.76	2.20
	5B6-LF-MR	0.14	0.24	0.33	0.43	0.51	0.58	0.68	0.87	1.06	1.48	1.97	2.46
	7B6-LF-MR	0.15	0.25	0.35	0.46	0.54	0.61	0.72	0.92	1.13	1.57	2.09	2.61
	10B6-LF-MR	0.18	0.31	0.43	0.56	0.67	0.75	0.88	1.13	1.38	1.92	2.56	3.20
SIZE W x H	FACE AREA	AIR FLOW IN CFM											
6 x 12	0.50	227	297	354	402	438	465	500	569	630	743	858	959
6 x 24	1.00	454	594	707	804	875	930	1000	1138	1260	1485	1715	1917
6 x 36	1.50	681	891	1061	1206	1313	1395	1500	1707	1890	2228	2573	2876
<b>12 x 12</b>	<b>1.00</b>	<b>454</b>	<b>594</b>	<b>707</b>	<b>804</b>	<b>875</b>	<b>930</b>	<b>1000</b>	<b>1138</b>	<b>1260</b>	<b>1485</b>	<b>1715</b>	<b>1917</b>
12 x 24	2.00	908	1188	1414	1608	1750	1860	2000	2276	2520	2970	3430	3834
12 x 30	2.50	1135	1485	1768	2010	2188	2325	2500	2845	3150	3713	4288	4793
12 x 36	3.00	1362	1782	2121	2412	2625	2790	3000	3414	3780	4455	5145	5751
12 x 48	4.00	1816	2376	2828	3216	3500	3720	4000	4552	5040	5940	6860	7668
24 x 18	3.00	1362	1782	2121	2412	2625	2790	3000	3414	3780	4455	5145	5751
24 x 24	4.00	1816	2376	2828	3216	3500	3720	4000	4552	5040	5940	6860	7668
24 x 30	5.00	2270	2970	3535	4020	4375	4650	5000	5690	6300	7425	8575	9585
24 x 36	6.00	2724	3564	4242	4824	5250	5580	6000	6828	7560	8910	10290	11502
24 x 42	7.00	3178	4158	4949	5628	6125	6510	7000	7966	8820	10395	12005	13419
24 x 45	7.50	3405	4455	5303	6030	6563	6975	7500	8535	9450	11138	12863	14378
24 x 48	8.00	3632	4752	5656	6432	7000	7440	8000	9104	10080	11880	13720	15336
48 x 30	10.00	4540	5940	7070	8040	8750	9300	10000	11380	12600	14850	17150	19170
48 x 36	12.00	5448	7128	8484	9648	10500	11160	12000	13656	15120	17820	20580	23004
48 x 42	14.00	6356	8316	9898	11256	12250	13020	14000	15932	17640	20790	24010	26838
48 x 45	15.00	6810	8910	10605	12060	13125	13950	15000	17070	18900	22275	25725	28755
48 x 48	16.00	7264	9504	11312	12864	14000	14880	16000	18208	20160	23760	27440	30672

SELF GENERATED SOUND POWER RATINGS (PWL) dB RE 10<sup>-12</sup> watts

OCTAVE BAND		1	2	3	4	5	6	7	8
[HZ]		63	125	250	500	1K	2K	4K	8K
MODEL	FACE VELOCITY [FPM]								
ALL LENGTHS	+1500	60	58	57	53	51	55	52	42
	+1000	53	50	46	42	41	44	37	31
	-1000	49	47	47	48	51	54	46	32
	-1500	60	56	54	54	56	60	58	48

SELF GENERATED SOUND RATINGS FACE AREA-ADJUSTMENT FACTORS

FACE AREA [FT <sup>2</sup> ]	.50	1	2	4	8	10	32	64	128
PWL ADJUSTMENT FACTOR, [dB]	-9	-6	-3	0	+3	+6	+9	+12	+16

Version: 1-2014

