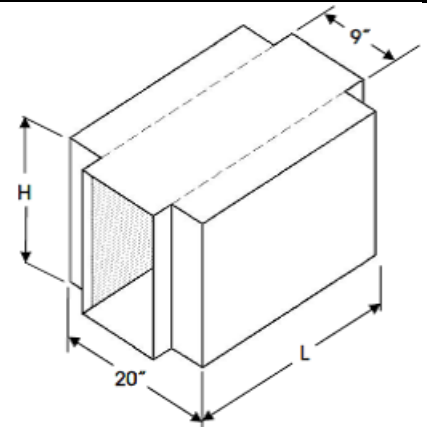


Testing Information:

All acoustical performance and aerodynamic data is derived from NVLAP accredited laboratory tests in accordance with ASTM E477, the standard method for testing duct silencers. Published information originated from a 24"x24" (610mm x 610mm) production unit, tested in forward flow ("+" = air/noise in same direction) and reverse flow ("- " = air/noise in opposite direction). If silencers are installed immediately before/after elbows or transitions, at the intake/discharge of the system or without a duct, allowance for such conditions must be included and compensated for when calculating the operating pressure through the silencer. Failure to make allowances for these conditions can add several velocity heads to the pressure loss of the system.



Model	Face Velocity fpm	Insertion Loss (db) Octave Band Center Frequency (Hz)							
		1 63	2 125	3 250	4 500	5 1K	6 2K	7 4K	8 8K
3BNL-9	-2000	2	4	9	13	12	8	4	3
	-1000	2	4	9	13	12	8	5	4
	+1000	2	4	9	13	12	7	6	4
	+2000	2	3	8	13	12	7	7	2
5BNL-9	-2000	3	8	16	23	22	12	6	8
	-1000	3	7	16	23	22	12	6	7
	+1000	2	6	16	23	22	12	7	6
	+2000	2	7	16	24	22	12	7	5
7BNL-9	-2000	4	12	25	32	30	17	10	9
	-1000	5	12	24	32	30	17	10	9
	+1000	5	11	24	32	30	17	10	8
	+2000	4	10	23	32	30	17	9	7
10BNL-9	-2000	6	15	31	45	40	24	13	12
	-1000	6	15	30	44	40	25	13	13
	+1000	6	14	31	43	38	24	14	10
	+2000	6	14	30	43	36	23	14	11

This table contains forward and reverse flow acoustic performance data based on testing to ASTM E477 testing standards. Copies of these tests can be furnished upon request.

Standard Construction:

- Maximum Differential Pressure: 8 in. wg.
- Outer casing: Minimum 22 gauge G90 galvanized steel
- Internal baffles: Minimum 22 gauge G90 galvanized steel
- Lock formed and mastic filled
- Attenuation materials: Inorganic glass fiber packed under a minimum of 5% compression. Flame spread of 15, fuel contributed of 0, smoke developed of 0 as tested with UL Test Procedure 723

Version: 1-2014